

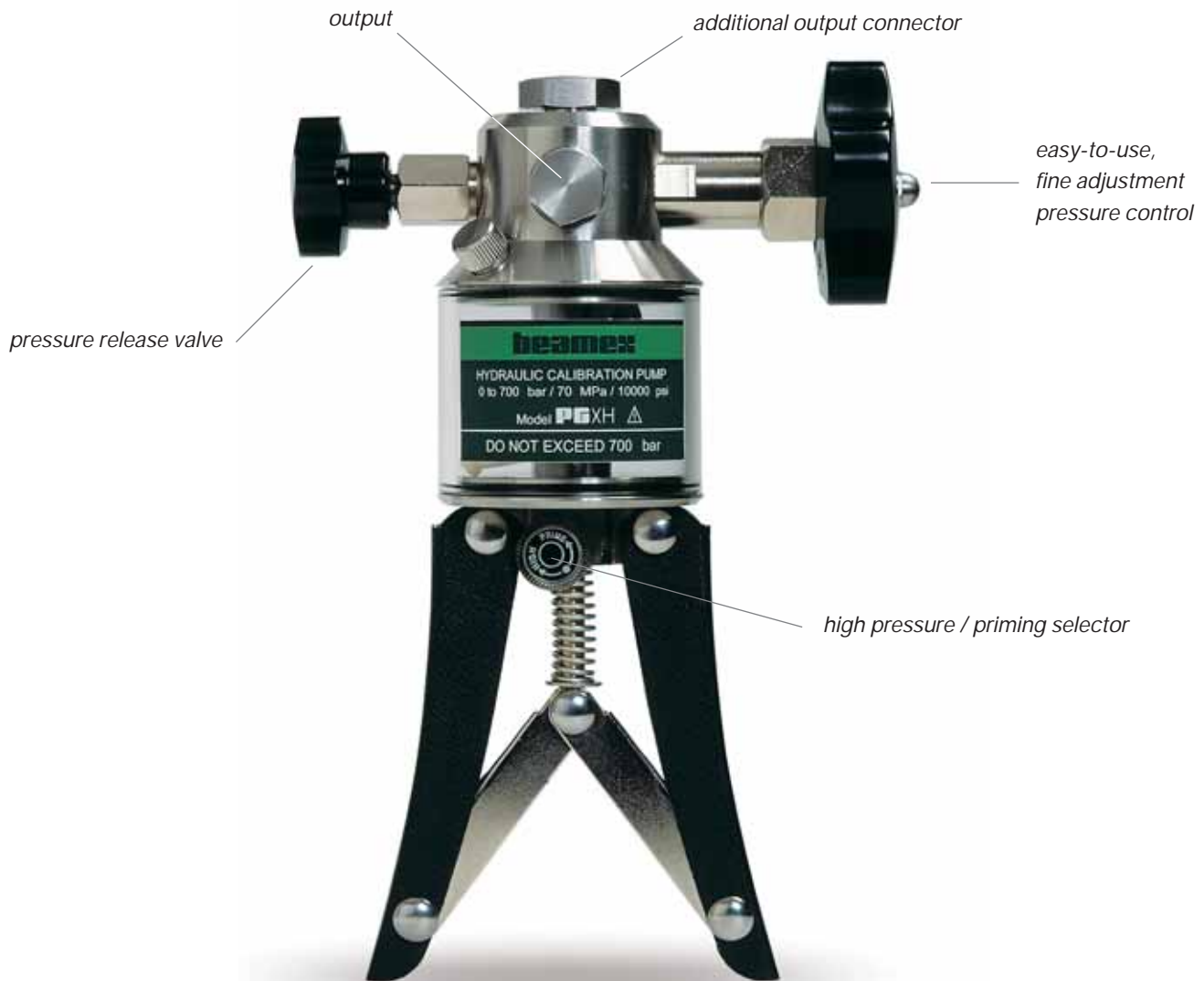
PG

Calibration Pumps



PGXH

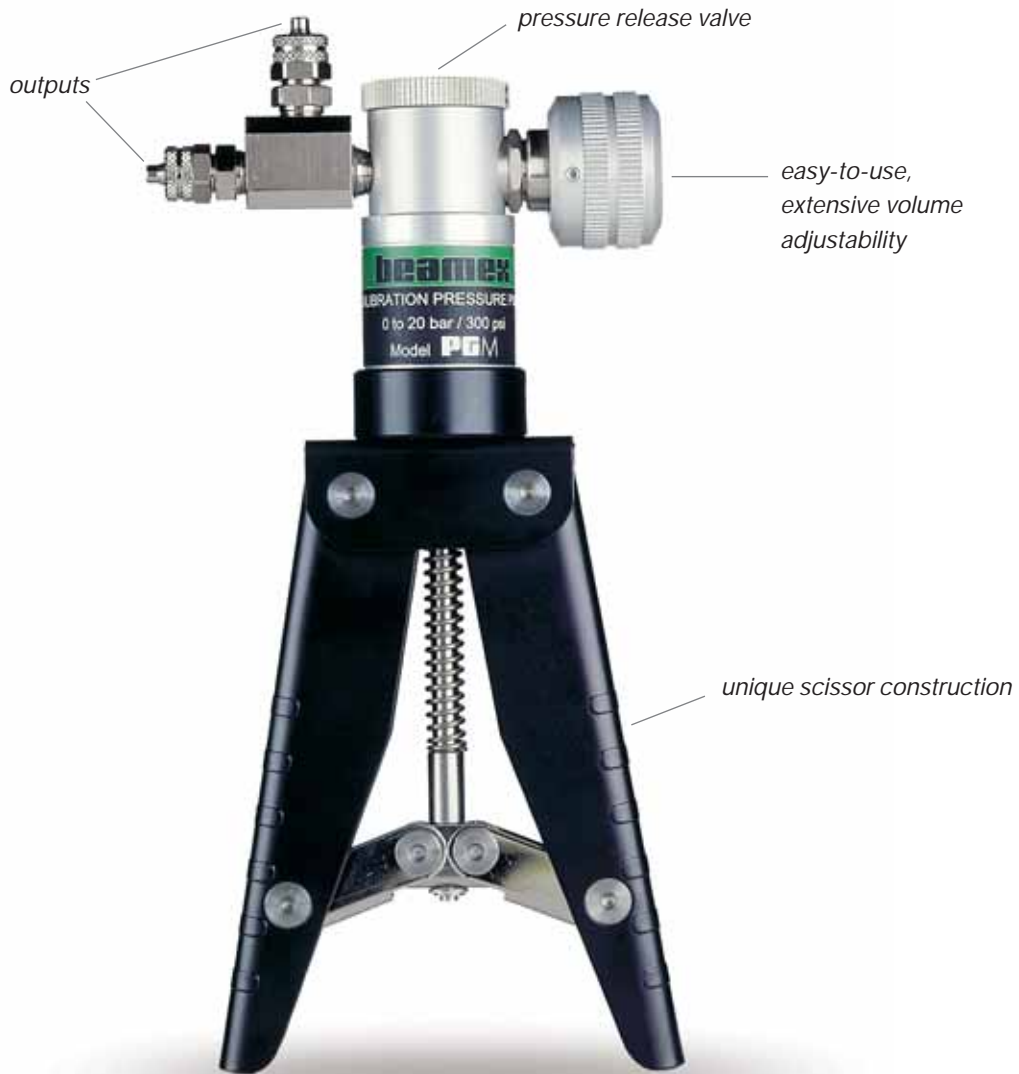
PRESSURE GENERATOR EXTRA HIGH 0...700 BAR / 0...10 000 PSI



The PGXH is a hand-held hydraulic high-pressure generator compatible with many different liquids (e.g. mineral oil, distilled water etc.) A "Skydrol" option is available. The pump is equipped with an adjustable volume control providing fine-tuning of generated pressure. The PGXH can be equipped with an optional relief valve providing adjustable over pressure protection in different ranges.



PRESSURE GENERATOR HIGH 0... 20 BAR / 0... 300 PSI



The PGM is a hand-held pressure calibration pump using air as its pressure media. The extremely accurate volume control provides the excellent fine adjustment of pressure. The pump's unique and sturdy construction makes the PGM the ultimate field calibration pump.



VACUUM GENERATOR 0...-0.95 BAR / 0...-13.7 PSI



The PGV is a new highly efficient vacuum pump generating vacuum quickly using a pulling action. The extensive volume control provides fine adjustment of generated vacuum. The compact, sturdy and lightweight construction is designed for use in tough field environments.

TECHNICAL SPECIFICATIONS & ACCESSORIES

PGXH, Pressure Generator Extra High

Output pressure:	0...700 bar / 0...10 000 psi
Pressure media:	mineral oil, distilled water also "Skydrol" option available
Outlet threads:	G 3/8" female (ISO228/1) G 1/4" female (with adaptor)
Dimensions:	236 mm x 159 mm x 70 mm 9.29" x 6.26" x 2.76"
Weight:	1.6 kg / 3.53 lb
Accessories:	<i>Standard:</i> <ul style="list-style-type: none">• carrying case• high pressure hose with 1/4" NPT and G 1/4" male connectors <i>Optional:</i> <ul style="list-style-type: none">• relief valve



PGM, Pressure Generator Medium

Output pressure:	0... 20 bar / 0... 300 psi
Pressure media:	air
Outlet connector:	2 x 1/8" NPT female
Dimensions:	223 mm x 96 mm x 38 mm 8.78" x 3.78" x 1.5"
Weight:	400 g / 0.9 lb
Accessories:	<i>Standard:</i> <ul style="list-style-type: none">• service seal kit• opening tool• output adapters:<ul style="list-style-type: none">- G 1/8" male 60° int. cone- 2 x connector for 1/8" ID hose- 2 x connector for 1/8" ID /1/4" OD hose with nut- plug <i>Optional:</i> <ul style="list-style-type: none">• carrying case• T-tubing set with connectors• Hose 1.5 m



PGV, Pressure Generator Vacuum

Output pressure:	0... -0.95 bar / 0...-13.7 psi
Pressure media:	air
Outlet connector:	G 1/8" male 60° int. cone
Dimensions:	diameter 35 mm / 1.38" length, min 230 mm / 9.06" length, max 322 mm / 12.68"
Weight:	340 g / 0.75 lb
Accessories:	<i>Standard:</i> <ul style="list-style-type: none">• service seal kit• opening tool• R 1/8" 60° female to 1/4 NPT male for connecting the pressure measurement hose to the instrument to be calibrated.• pressure hose 0.75 m / 2'5 1/2" with R 1/8" 60° male connector at both ends <i>Optional:</i> <ul style="list-style-type: none">• carrying case• T-tubing set with connectors• 1.5 m / 4.9" hose



NOTE: For special accessories please contact your local Beamex representative.



w w w . b e a m e x . c o m

Portable calibrators

Workstations

Calibration software

Professional services

Industry solutions

For more information, please visit www.beamex.com or contact info@beamex.com